

NEWS. OUR NEWS. YOUR NEWS. THE PEOPLES NEWS.

Take a moment to ponder

'People say you can't live without love, but I think that oxygen is a bit more important.'

A sincere message from the team at CBC.

Somewhat surprisingly, this year has been our hardest since the start of the COVID19 pandemic. We had no idea 12 months ago what 2021 would bring us as a manufacturer in these times. As many of you have probably thought yourselves, the general expectations of 2021 would be that retail sales would slow down dramatically as people would be holding on to their money because of uncertainty of how COVID would affect their lives and possibly future earnings. The rush of sales in 2020 was completely unexpected (and appreciated) but realistically "don't hold your breath as it is only temporary because the worst is yet to come.... we shall be collectively crossing every extremity humanly possible to survive the following 12 months...."

Well... that theory got shot out of the water like bottom burps on steroids....

Since last January, orders were still coming in at the same rate only to increase as the months progressed. Unfortunately, the rate of 'increase' was closely matched with a steady decline in the timely delivery of important supplies for these same orders. Please note that when I say 'steady decline' I mean it completely stopped at times. We have endured (and still are) long backorder dates and delayed 'transit' times.... parcels going MIA and replacement parcels are sitting at the courier depot under a pile of parcels that is growing bigger and bigger by the minute. And this is before the traditional Christmas rush that starts mid-October! We all thank you all for understanding our situation and we are working long hours to get everyone's orders out before Christmas to the best of our ability.

So... just to put your minds at ease, this short newsletter is absolutely **not** going to magically solve all our problems but, fingers crossed, it might give you a couple of minutes to just to forget the outside world and breath in some positiveness 😊.... or possibly not... whichever way your footloose fancy floats your flagpole on your fishing boat.... (Please note that Kate's range of f-words she could use was limited severely by staff, so we are going with this lot)



Let's get on with the show!!!!



Father Christmas at our Staff Christmas party last year (Great job Chris!).

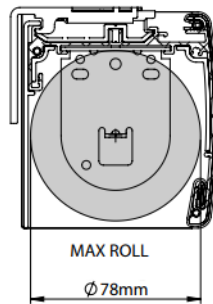


It used to be called "Pelmet 95" but apparently that was way too hard for us to remember
... although they are not totally wrong...

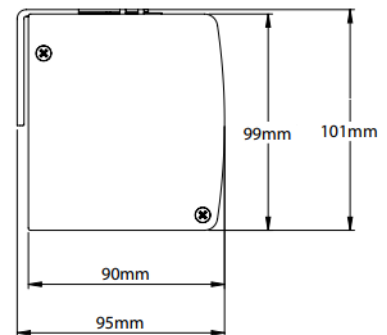
- ✚ The simpler 3-sided pelmet to suit small to medium single rollers
- ✚ Can use both standard and reverse roll directions.
- ✚ Comes in the standard colours of Clear Anodised, Black, Pure White and Sandstone



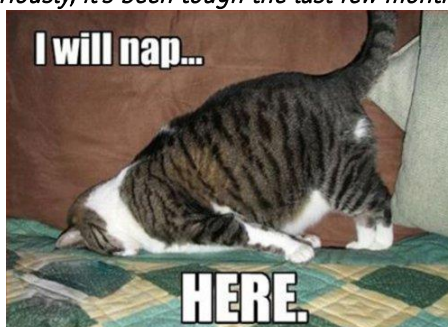
MAX ROLL



DIMENSIONS



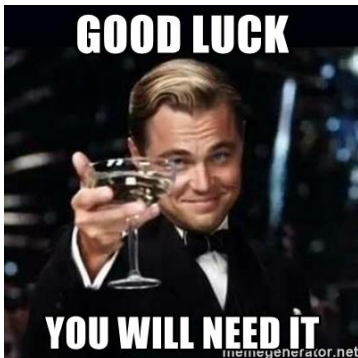
Our phone lines are ready to take your call even during the afternoon nanna naps!!!
(Seriously, it's been tough the last few months...)



SOME STAFF GOSSIP FOR YOU....

We are so happy to announce the arrival of a new member to the team!!

Please join us in welcoming Azel 😊



Starting in October, she has stormed the CBC office - running at high speed with just the occasional trip and stumble over the tall stories she is being mercilessly fed by other team members... only to bounce up like a Jill-in-a-box and continue on her merry way whilst storing each and every memory and then waiting for the opportune time when we are completely unaware of her shadowy presence in the dark corners of the CBC building....

(Admittedly we are ever so slightly afraid of her, the picture on the left was from her CV...)



BUT NOW FOR THE DISAPPOINTING SECTION

1. Since the 2022 pricelist was issued, we have had a short notice price update for all things aluminium from Louvolite. So, with sincere apologies, we will be increasing the price of the Louvolite fabric base rail system to \$7.50/m + GST as from 1st Jan 2022.
2. Fabric ranges that are being discontinued or phasing out to oblivion but, as always, please contact us for possible availability

Wilson Fabrics

All colours

Aspen

Matrix BO/LF

Moma BO/LF

Limited stocks

HD – Woodnature Venetians

Coachwood, Cherry, Pecan, Oak and Natural
(due to quality issues)

No stock available

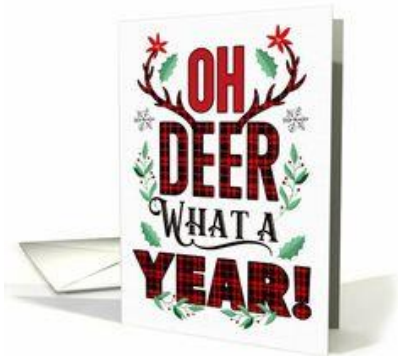
(Please note a new range of colours to arrive in
early 2022 – we will keep you posted)

Four Families

St Lucia – All colours

Milford – All colours

No stock available



*Wishing you all a very Merry Christmas
and a happy New Year! ❤️❤️
We are looking forward seeing you in 2022,
back safe and refreshed (you, not us 😊)*

Ciao from all the team at CBC xx

My favourite machine at the gym is the vending machine.....

