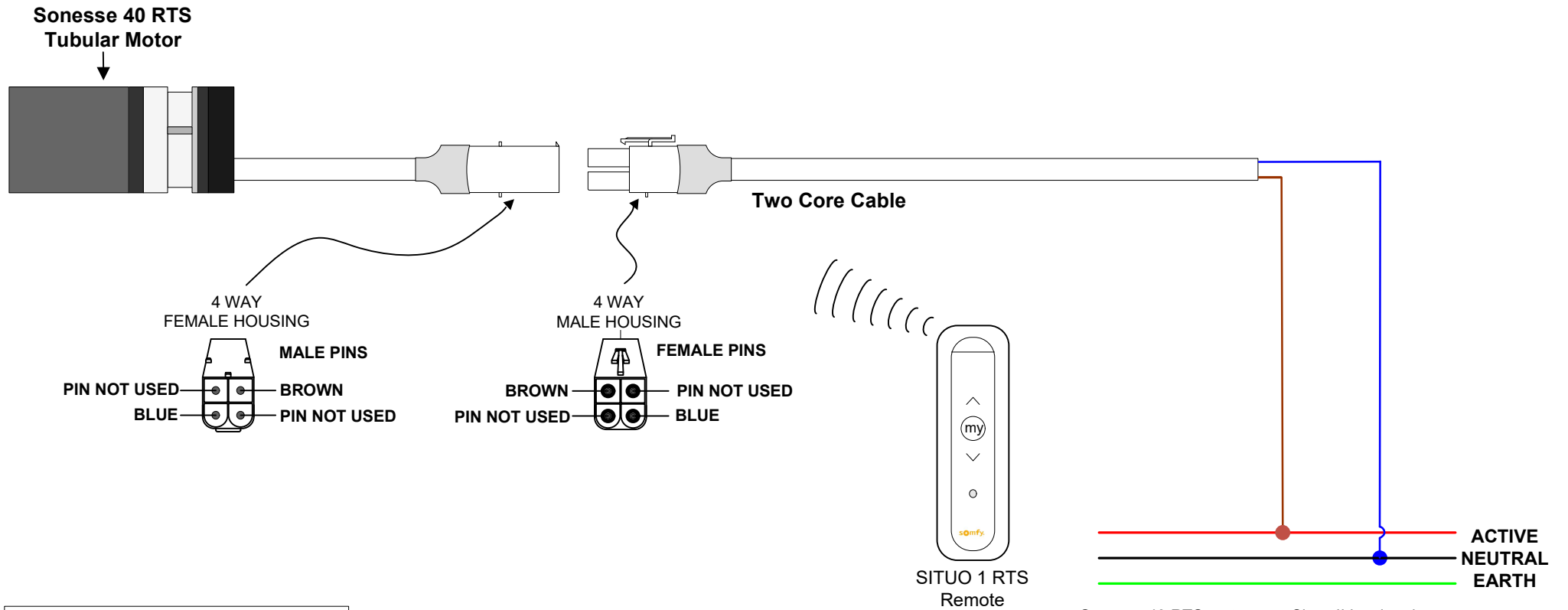
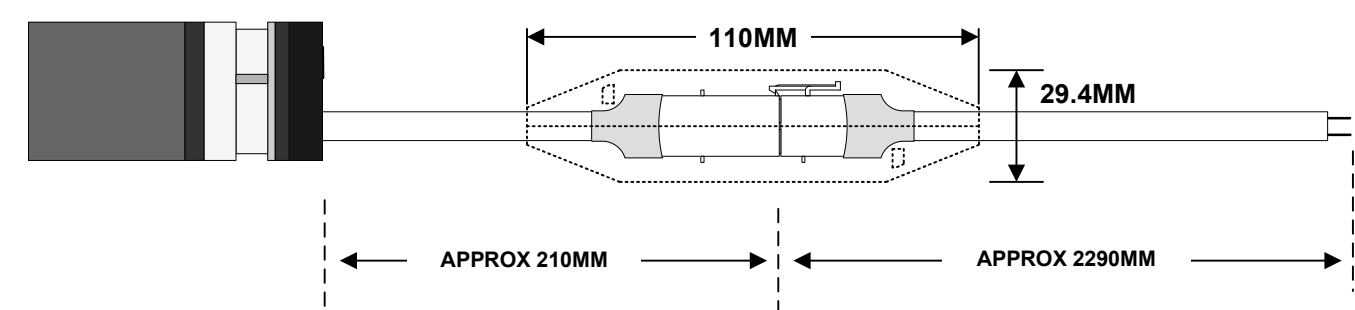


WIRING CONFIGURATION: 1002091 SONESSE 40 RTS 3/30 MOTOR 2.5M CABLE WITH INLINE CONNECTOR
1002092 SONESSE 40 RTS 6/20 MOTOR 2.5M CABLE WITH INLINE CONNECTOR
1002157 SONESSE 40 RTS 9/12 MOTOR 2.5M CABLE WITH INLINE CONNECTOR



Sonesse 40 RTS motors are Class II Insulated **230V AC 50Hz**

In-Line Connector and Housing Fitted



BOM	DESCRIPTION	PART NUMBER
1	Sonesse 40 RTS	1002091 / 1002092 / 1002157
2	Male Housing	Spec Provided
3	Female Housing	Spec Provided
4	Male Pin	Spec Provided
5	Female Pin	Spec Provided
6	Heat Shrink	White Rediform
7	Warning Label	As Supplied



Description:
 Sonesse 40 RTS Motor with Inline Connector

Date Printed: 23/06/2022
 Drawn By: R. HANDOG

© Copyright 2022
 All rights reserved
 These drawings remain the property of Somfy and shall not be copied or used without written permission.

NOT TO SCALE